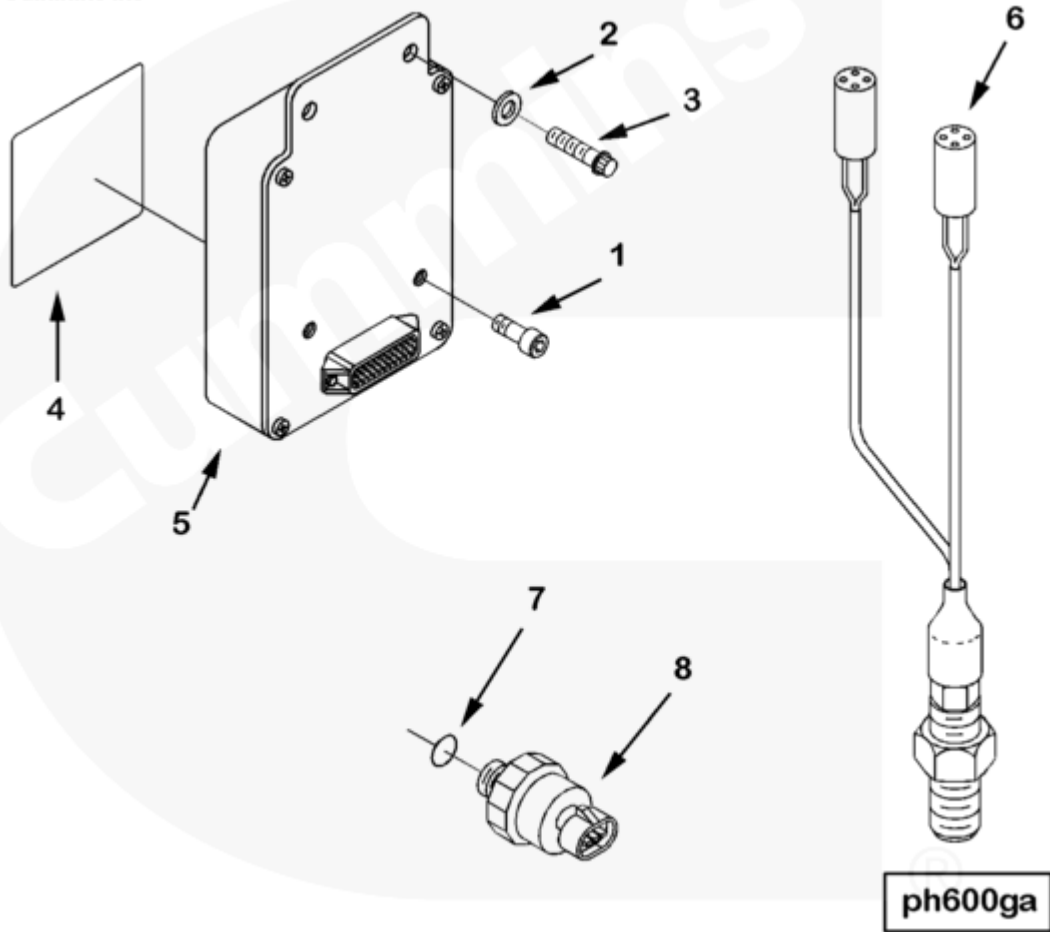




## Parts Catalog - Option Detail

| Electronic Parts Catalog - Option Detail |   |         |           |           |
|--|---|---------|-----------|-----------|
| Option                                   | Group   | Graphic | Film Card | Date      |
| PH6711                                   | 05.06.1   | ph600ga | K38       | 21-NOV-96 |
| <b>Engines</b>                           | GTA38, K38, KTA38GC CM558, QSK38 CM2150 K106, QSK38 CM2150 MCRS, QSK38 CM850 MCRS |         |           |           |

©Cummins Inc



[SMALL](#) | [MEDIUM](#) | [LARGE](#)

| Cart                         | Ref No | Part Number            | Part Description      | Required | Remarks  |
|------------------------------|--------|------------------------|-----------------------|----------|--|
| <a href="#">View My Cart</a> |        |                        |                       |          |  |
|                              |        | <a href="#">PH6711</a> | Engine Control Module |          | <a href="#">Engine control module...(More)</a> |
|                              |        |                        |                       |          | Engine control system:                         |
|                              |        |                        |                       |          | Centry ECM version: Phase 2                    |
|                              |        |                        |                       |          | module location (mm): N/A                      |

|                          |   |                         |                           |   |                               |
|--------------------------|---|-------------------------|---------------------------|---|-------------------------------|
|                          |   |                         |                           |   | ambient air pressure sensor   |
|                          |   |                         |                           |   | included: N/A                 |
|                          |   |                         |                           |   | Intake manifold temp sensor   |
|                          |   |                         |                           |   | manufacturer: N/A             |
|                          |   |                         |                           |   | Includes 12volt electronic    |
|                          |   |                         |                           |   | control module, sensors and   |
|                          |   |                         |                           |   | mounting hardware. The ECM    |
|                          |   |                         |                           |   | module is mounted on the fuel |
|                          |   |                         |                           |   | pump by the engine assembly   |
|                          |   |                         |                           |   | facility.                     |
| <input type="checkbox"/> | 1 | <a href="#">69771</a>   | Socket Head Cap Screw     | 2 | 1/4 - 20 x 5/8 in.            |
| <input type="checkbox"/> | 2 | <a href="#">127018</a>  | Plain Washer              | 1 | 1/4 in.                       |
| <input type="checkbox"/> | 3 | <a href="#">3001811</a> | Twelve Point Cap Screw    | 1 | 1/4 - 20 X 1 Inch.            |
| <input type="checkbox"/> | 4 | <a href="#">3066855</a> | Dataplate                 | 1 |                               |
| <input type="checkbox"/> | 5 | <a href="#">3654717</a> | Electronic Control Module | 1 |                               |
| <input type="checkbox"/> | 6 | <a href="#">3079604</a> | Speed Sensor              | 1 | Flywheel.                     |
| <input type="checkbox"/> |   | <a href="#">3080416</a> | Pressure Sensor           | 1 | Fuel.                         |
| <input type="checkbox"/> | 7 | <a href="#">3037537</a> | O-Ring Seal               | 1 |                               |
| <input type="checkbox"/> | 8 | <a href="#">3083727</a> | Pressure Sensor           | 1 | Fuel.                         |